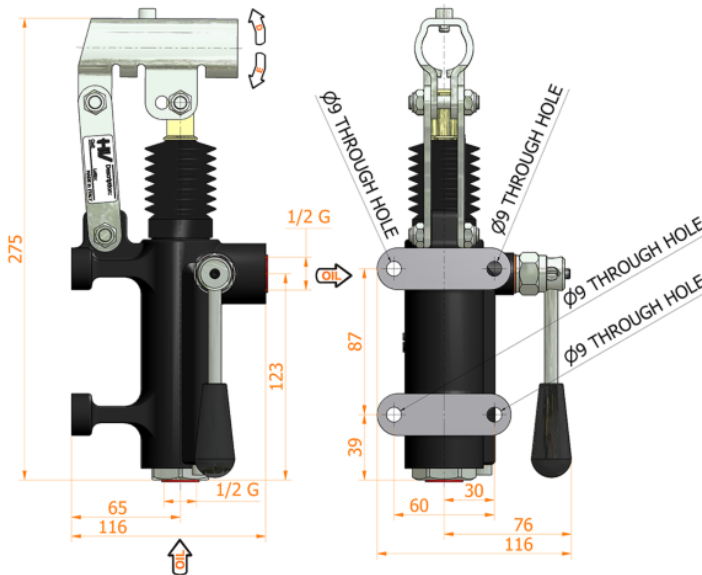
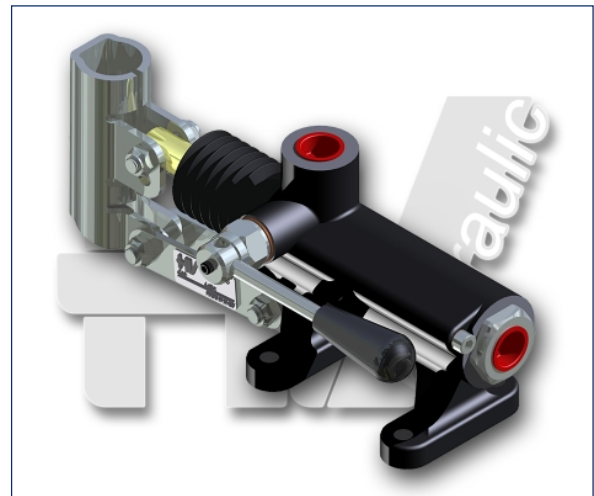
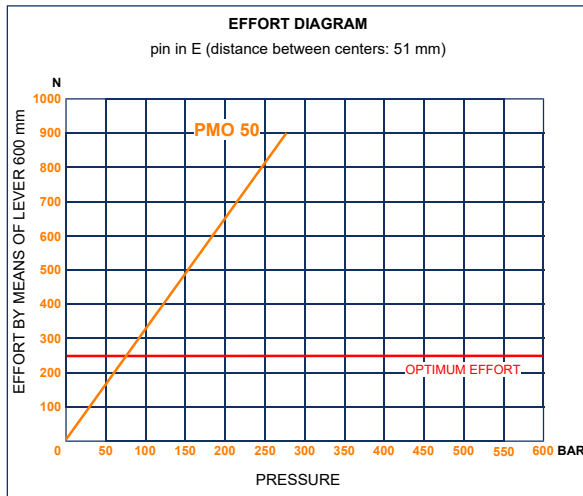
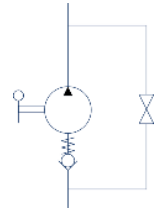




# PMO 50 L-s

with release lever  
double acting hand pump for single acting cylinder  
for fixing to wall



**Specifications:**

- Cast iron body
- Piston treated with Niploy
- White zinc plated support lever
- Lever connection Ø 27
- White zinc plated external parts
- Standard colour black

DISPLACEMENT cm <sup>3</sup>	A mm	B mm	C mm	D °	E °	ACTUAL DISPLACEMENT cm <sup>3</sup>	PRESSURE BAR		MASS KG	CODE WITHOUT BELLOWS	CODE WITH BELLOWS
							OPTIMAL	MAX			
50	--	--	--	38	37	43,825	80	280	3,400	6077.0008	6077.0035

**HV Hydraulic S.r.l.**